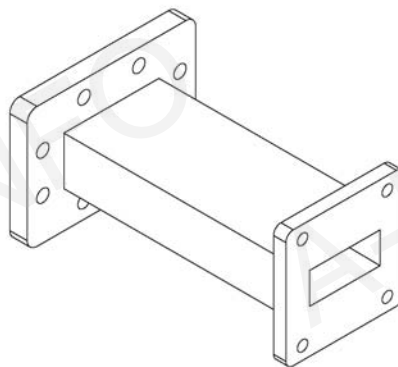


Technical Specification

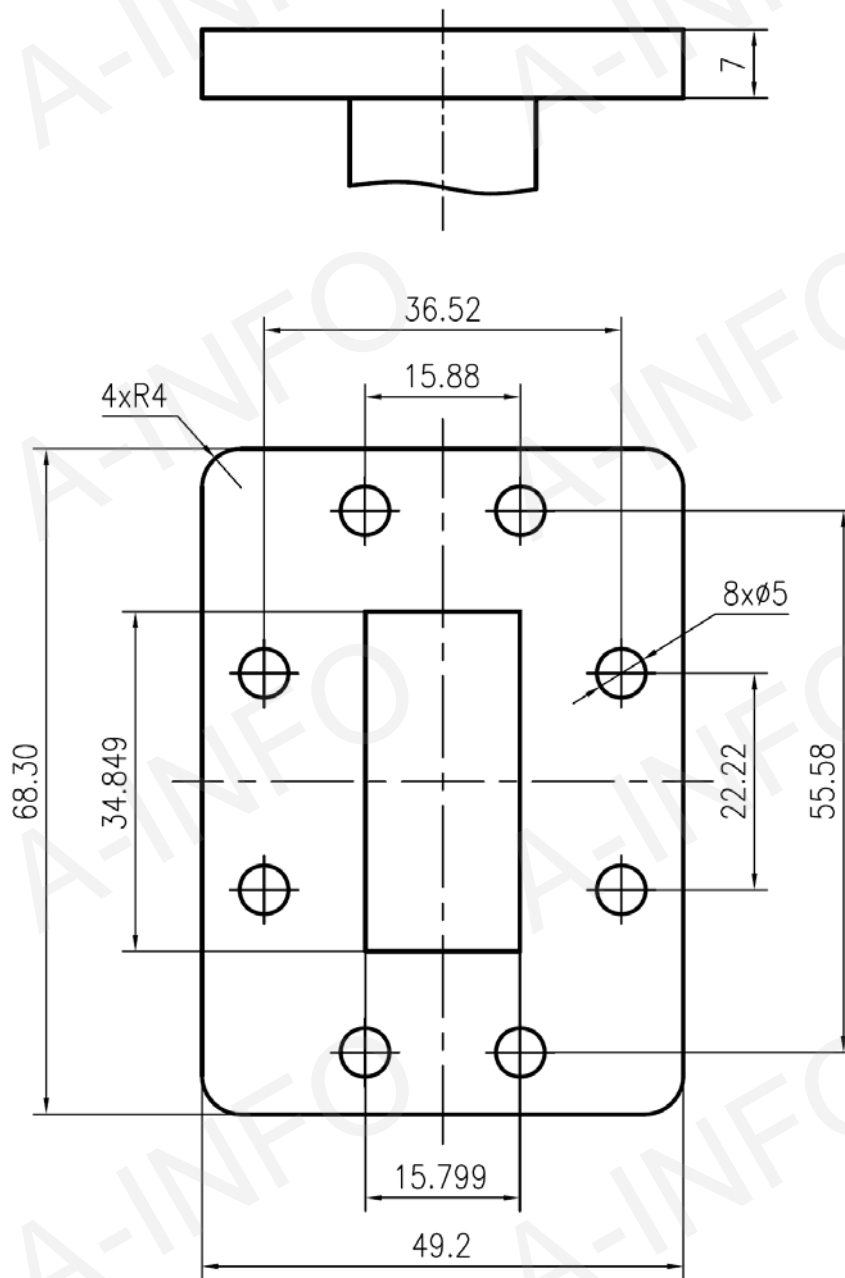


EIA WR to WR	WR137 to WR112
Frequency Range(GHz)	7.05 – 8.20
Length(mm/inch)	101.6/4
Insertion Loss(dB)	0.1 Max.
VSWR	1.05:1 Max.
WR137 Flange	FDP70(UDR70)
WR112 Flange	FBP84(UBR84)
Material	Al
Size(mm)	101.6 x 68.3 x 49.2
Net Weight(Kg)	0.15 Around

Outline Drawing (Size: mm)



Flange Outline Drawing (Size: mm)



FDP70

AINFO Inc.

Page 2 of 4

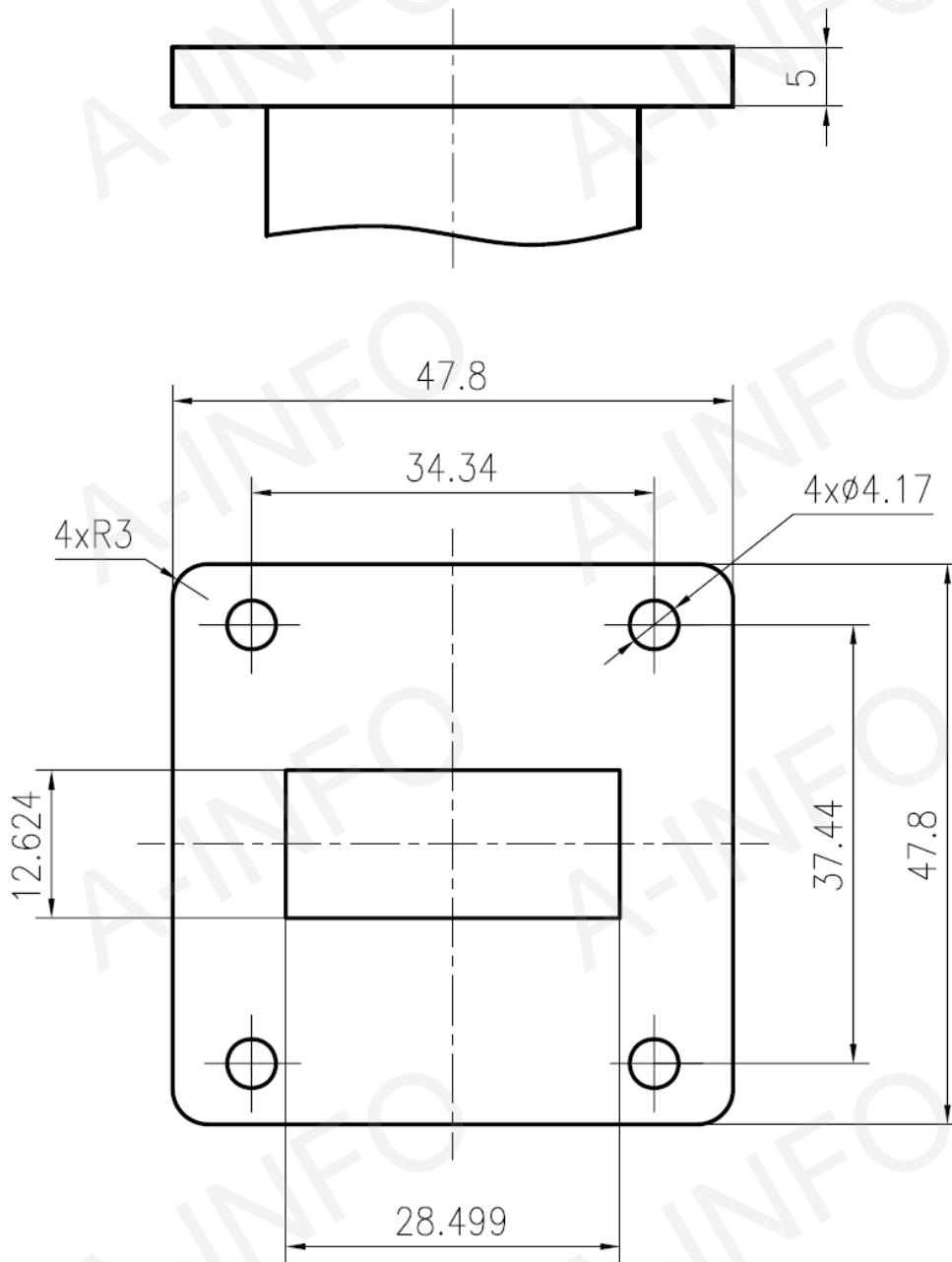
China(Beijing):
China(Chengdu):
USA :

Tel: (+86) 10-6266-7326,
Tel: (+86) 28-8519-2786,
Tel: (+1) 949-639-9688,

(+86) 10-6266-7327
(+86) 28-8519-3044
(+1) 949-639-9608

Fax: (+86) 10-6266-7379
Fax: (+86) 28-8519-3068
Fax: (+1) 949-639-9670

Website: www.ainfoinc.com
Email: sales@ainfoinc.com



FBP84

AINFO Inc.

Page 3 of 4

China(Beijing):
China(Chengdu):
USA :

Tel: (+86) 10-6266-7326,
Tel: (+86) 28-8519-2786,
Tel: (+1) 949-639-9688,

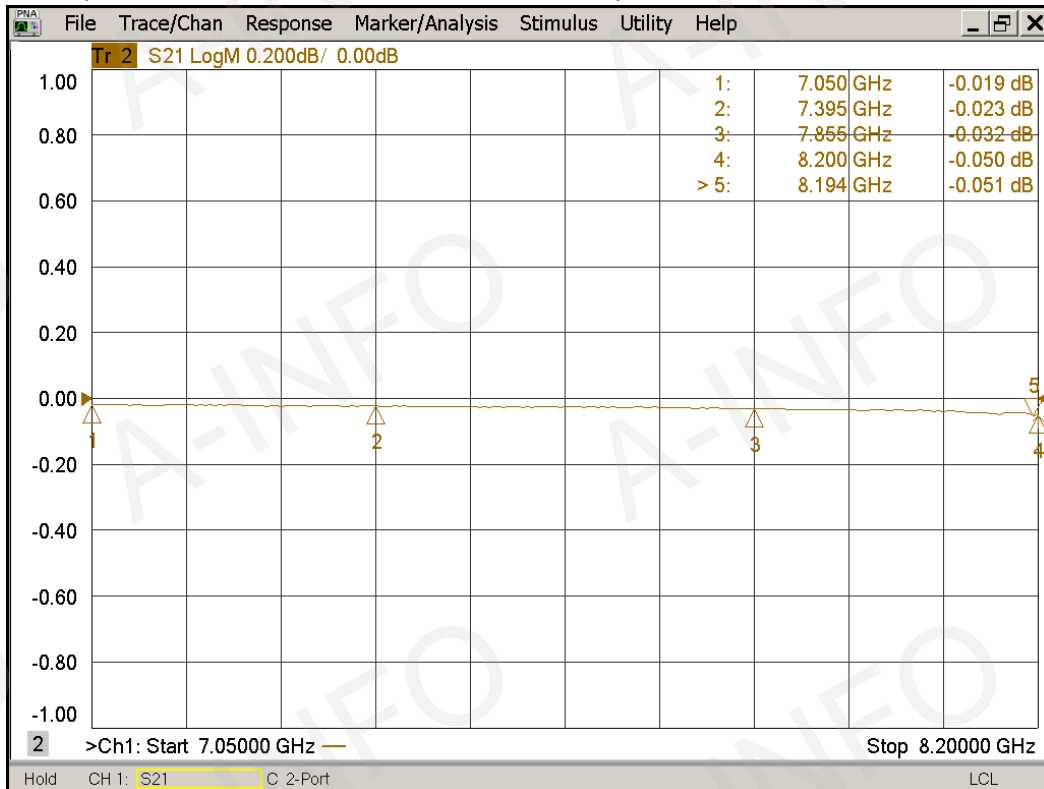
(+86) 10-6266-7327
(+86) 28-8519-3044
(+1) 949-639-9608

Fax: (+86) 10-6266-7379
Fax: (+86) 28-8519-3068
Fax: (+1) 949-639-9670

Website: www.ainfoinc.com
Email: sales@ainfoinc.com

Test Results

Insertion Loss (Test with two transitions back to back)



VSWR

